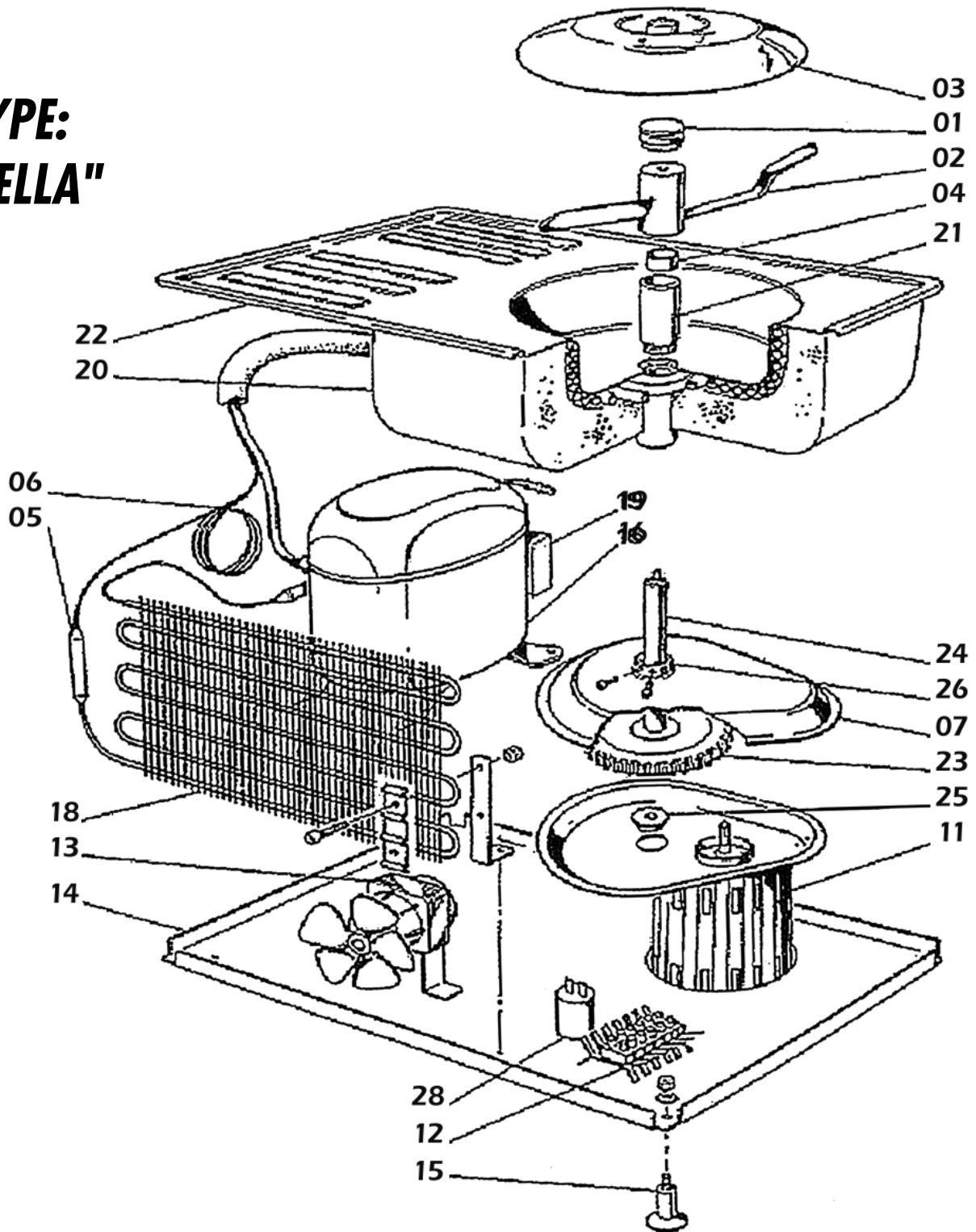


TYPE:
"STELLA"



NO	DESCRIPTION	NO	DESCRIPTION	NO	DESCRIPTION
01	Paddle nut	12	Junction box	22	SS top case
02	Paddle	13	Fan motor	23	Gear wheel
03	Plastic lid	14	Base	24	Shaft
04	Shaft bush	16	Compressor	25	A bush
05	Filter	18	Condenser	26	B bush
06	Capillary	19	Compr. elect. parts	28	Capacitor
07	Gearbox	20	Insulator		
11	Drive motor	21	Shaft sleeve		