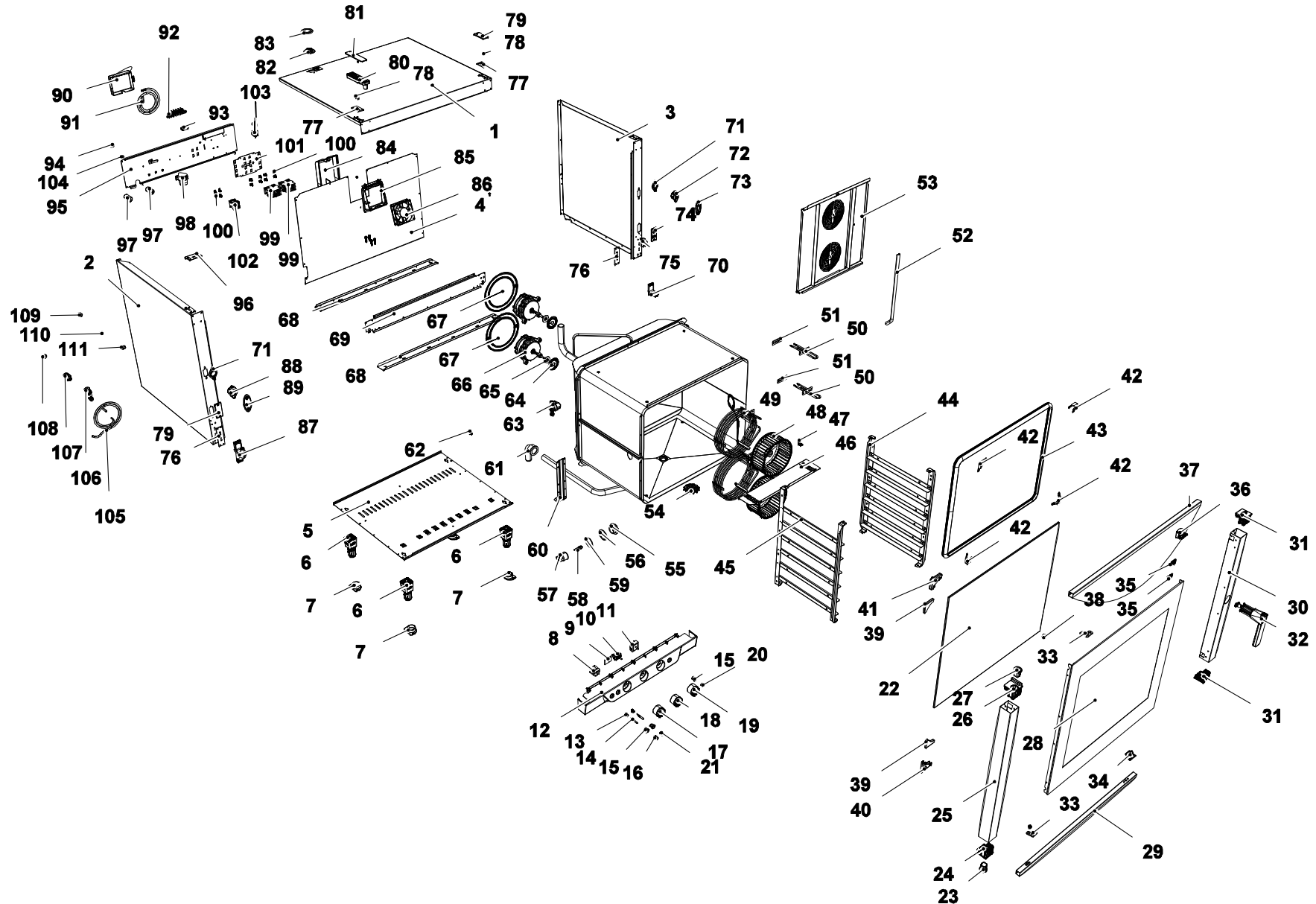


MOD: XB693

EXPLODED VIEW DISEGNO ESPLOSO



DESCRIZIONE CODICI

1	OD2125AO	COPERCHIO BAKERLUX CHEFLUX
2	OD2132AO	FIANCO SX XB69- XV59-
3	OD2133AO	FIANCO DX MANUAL XB693 XB593
4	OF1428AO	SCHIENA ZINCATA XB69- XV59-
5	OE1303AO	FONDO ZINCATO BAKERLUX CHEFLUX
6	PD1060AO	PARTE FISSA PIEDE CT BT
7	PD1063AO	STAFFA BLOCCAGGIO PIEDE CT BT
8	TM1005AO	TIMER MI2 60 MIN 250V 16A
9	TM1001C1	SUONERIA ELETTRONICA 15 SEC 120V
10	TR1100AO	TERMOSTATO REG. 269°C 55.19052.80
11	VE1556AO	REGOLATORE ENERGIA 240V
12	VM1972AO	CRUSCOTTO BAKERLUX/CHEFLUX MECCANICO
13	VM1762AO	SUPPORTO LAMPADA INTERNO
14	VE1535AO	LED BIANCO 230V
15	VM2009AO	SUPPORTO ELLITTICO D16 ARGENTO
16	VE1585AO	GEMMA ELLITTICA AZZURRA SINUSOIDE ORO
17	MN1111AO	MANOPOLA TERMOSTATO CHEFLUX BAKERLUX
18	MN1112AO	MANOPOLA TIMER CHEFLUX BAKERLUX
19	MN1113AO	MANOPOLA UMIDITA CHEFLUX BAKERLUX
20	VM2007AO	TASTO ARGENTO OPACO VELOCITA VENTOLA
21	VE1530AO	GEMMA ELLITTICA AZZURRA TERMOMETRO ORO
22	VT1135AO	VETRO INTERNO 743x620x6 BETFL
23	VM1510AO	BOCCOLA SCANALATA PERNO PORTA XBC/XVC
24	VM1978AO	TAPPO FULCRO INFERIORE PORTA CL BL
25	TB2210AO	COLONNINA SX BAKERLUX 6TG 50x50x1.2
26	VM1511AO	BOCCOLA LISCIA PERNO PORTA CHEFFTOP
26	VM1977AO	TAPPO FULCRO SUPERIORE PORTA CL BL
28	VT1255AO	VETRO ESTERNO XB69- XC59-
29	TB2218AO	LISTELLO INF. BL CL L= 854 20x20x1
30	TB2209AO	COLONNINA DX BAKERLUX 6TG 50x50x1.2
31	VM1976AO	TAPPO ESTETICO COLONNINA PORTA CL BL
32	VM1180AO	IMPUGNATURA MANIGLIA XVC204/304/504/704
33	OH2650AO	CERNIERA INOX VETRO INTERNO XBC/XVC
34	VM1896AO	SUPPORTO VETRO INFERIORE
35	VM1490AO	COPRI VITI MANIGLIA CHEFFTOP BAKERTOP
36	VM1006AO	COPERCHIO CHIUSURA SUPPORTO VETRO SUP
37	TB2194AO	LISTELLO SUP. BL CL L= 854 20x20x1
38	TF1010AO	BOCCOLA TEFLON CERNIERA VETRO
39	GN1180AO	GUARNIZIONE CERNIERE VETRO INT.
40	VM1231AO	CERNIERA INF. ALLUMINIO VETRO
41	VM1230AO	CERNIERA SUP. ALLUMINIO VETRO
42	OH1450AO	ANGOLO FACCIATA MUFFOLA INOX XB-XV-XG
43	GN1342BO	GN1000B-GUARNIZIONE PORTA XBC604-605
44	GRL1291AO	SUPPORTO LAT. DX BL 6 600X400
45	GRL1290AO	SUPPORTO LAT. SX BL 6 600X400
46	OG1476AO	DISTANZIALE CARTER BL CL
47	OH4820AO	STAFFA SOSTEGNO BULBO
48	VN1030A4	VENTOLA D196 H81 39 PALE DADO M8
49	RS1150AO	RESISTENZA CIRC. D=230 5 SPIRE
50	RS1261AO	RESISTENZA MOTORE BAKERLUX/CHEFLUX

51	GN1326AO	GUARNIZIONE RES. 70X22X0.8
52	TB2215AO	TUBO INTERNO UMIDITA' XB69- XV59- Ø16x1
53	OG1461AO	CARTER ARIA XB69- XV59-
54	OH2551AO	TAPPO PER TUBO DI SCARICO LIQUIDI INOX C
55	VT1195AO	VETRO COPRILAMPADA BOROSILICATO TEMPRATO
56	GN1065A1	GUARNIZIONE PORTALAMPADA DE=53.2
57	VE1015A1	PORTA LAMPADA SERIE 2 PER LAMPADA
58	VE1005A3	LAMPADA HALOPIN 25W
59	GN1055AO	OR 46x2 VMQ.70 ROSSO
60	OH6334AO	STAFFA SOSTEGNO MUFFOLA BL CL
61	VM1260AO	CURVA A 90° RACCORDO SCARICO
62	VE1562AO	PULSANTE UNIPOLARE NA
63	EL1252AO	ELETTRIVALVOLA H2O 1 VIA RID. VERDE
64	OH4305A1	DISCO TENUTA ALBERO MOTORE INOX STP
65	GN1140A1	GUARNIZIONE PORTAMOTORE STAMP.
66	VN1130AO	MOTORE FORNO 330W 230V 50/60HZ
67	OH3586AO	LAMIERA PROTEZIONE MOTORE ZINCATO
68	OH6335AO	LONGHERONE PIEDINI
69	OH6240AO	LAMIERA CRUSCOTTO BAKERLUX CHEFLUX
70	VM1974AO	PIASTRINA CHIUSURA CRUSCOTTO
71	VM1192A1	COPERCHIO SCROCCO MANIGLIA CT BT
72	VM1190A2	SCROCCO MANIGLIA DX CT BT
73	VM1460AO	COPERCHIO DX SCROCCO PORTA XBC/XVC
74	VM1200AO	PIASTRINA SUPPORTO MICROPORTA MECCANICO
75	VE1295AO	MICROINTERRUTTORE PORTA MK 16A 230V UL
76	OH6333AO	CONTROSTAFFA PORTA FILETTATA BL CL
77	OH2560AO	CONTROSTAFFA ZINCATA PORTA C.T.
78	VM1240AO	TAPPO NYLON SUPPORTO CONTROSTAFFA
79	VM1195AO	PIASTRINA COPRIFORI XVC204/304/504/704
80	VM1165B0	STAFFA SUPERIORE PORTA CT BT
81	VM1166AO	COPERCHIO STAFFA SUPERIORE PORTA
82	GN1275AO	GUARNIZIONE CAMINO SILICONE NERO XVC
83	OH3790AO	LAMIERA TENUTA CAMINO
84	VM1556AO	PROTEZIONE VENTOLA RAFFREDDAMENTO CT-BT
85	VM1555A1	SUPPORTO VENTOLA RAFFREDDAMENTO CT BT
86	VN1161AO	VENTOLA RAFFREDDAMENTO 230V
87	VM1975AO	STAFFA INFERIORE SOSTEGNO PORTA
88	VM1191A2	SCROCCO MANIGLIA SX CT BT
89	VM1461AO	COPERCHIO SX SCROCCO PORTA XBC/XVC
90	VM1310AO	SCATOLA COPRI MORSETTIERA XB/XV/XVC/XG
91	CE1460A1	CAVO 5X4MMQ H07RN-F L=1,8MT
92	MRT1004AO	MORSETT. 7FTW GV V0 VL CU 1+2+3/4+5+6
93	VE1075AO	PRESSACAVO FV 268 RO+VITI FISSAGGIO
94	VM1750AO	MORSETTIERA A PETTINE
95	OH6241AO	SUPPORTO COMPONENTI BL CL MANUAL
96	OH6350AO	LAMIERA FISSAGGIO CONNETTORI
97	VE1110AO	CONDENSATORE 6.3 µF 450VAC 50/60Hz
98	VE1555AO	INVERTITORE DI MARCIA
99	VE1095AO	TELERUTTORE GE 25A 230V 50/60
100	VM1075A1	CLIP DI FISSAGGIO PER TELERUTTORI

101	OH6361AO	LAMIERA FISSAGGIO TELERUTTORI
102	VE1115AO	MINICONTATTATORE QUADRIPOLEARE 20 A 230 V
103	TR1136AO	TERMOSTATO SIC. UNIP. 330°C
104	VM1967AO	TAPPO FORO D10
105	TB1980AO	TB1815A-ALLACCIAMENTO FORNI ALLA RETE
106	EL1375AO	FILTRO ACQUA Ø8 MESH100
107	RC1210A1	RACCORDO 3/4 VALVOLA DI NON RITORNO
108	GN1200AO	GUARNIZIONE D=24 RACCORDO 3/4 GOMMA
109	EL1185AO	RACCORDO A GOMITO J.GUEST Ø8 - Ø8
110	EL1345AO	CLIP BLOCCA PINZETTA RACCORDI Ø8
111	EL1195AO	RACCORDO A GOMITO CON J.GUEST

MOD: XB693

EXPLODED VIEW DISEGNO ESPLOSO



DESCRIPTION

1	OD2125A0	BAKERLUX CHEFLUX COVER
2	OD2132A0	XB69- XV59- LEFT SIDE EXTERNAL PANEL
3	OD2133A0	XB693 XB593 RIGHT SIDE EXTERNAL PANEL
4	OF1428A0	XB69- XV59- ZINCED PLATED BACK PANEL
5	OE1303A0	BAKERLUX CHEFLUX ZINCED BOTTOM PANEL
6	PD1060A0	CT BT FOOT FIX COMPONENT
7	PD1063A0	CT BT FOOT BLOCKING BRACKET
8	TM1005A0	TIMER MI2 60 /MIN 250V 16A
9	TM1001C1	ELECTRONIC BUZZER 15 SEC 120V
10	TR1100A0	269°C ADJUSTABLE THERMOSTAT 55.19052.80
11	VE1556A0	THERMAL SWITCH 240V
12	VM1972A0	BAKERLUX/CHEFLUX MANUAL CONTROL PANEL
13	VM1762A0	INNER LAMP SUPPORT
14	VE1535A0	WHITE LED 230V
15	VM2009A0	ELLIPTICAL SILVER SUPPORT D16
16	VE1585A0	BLUE LIGHT COVER GOLD SINUSOID
17	MN1111A0	CHEFLUX BAKERLUX THERMOSTAT KNOB
18	MN1112A0	CHEFLUX BAKERLUX TIMER KNOB
19	MN1113A0	CHEFLUX BAKERLUX HUMIDITY CONTROL KNOB
20	VM2007A0	FAN SPEED SILVER BUTTON
21	VE1530A0	BLUE LIGHT COVER GOLD THERMOMETER
22	VT1135A0	INTERNAL GLASS 743x620x6 XBC604
23	VM1510A0	XBC/XVC GROOVED DOOR PIN BUSHING
24	VM1978A0	CL BL DOOR LOWER FUJLCRUM-CAP
25	TB2210A0	XV593/XB693/XB695 LEFT DOOR COLUMN
26	VM1511A0	XBC/XVC SLEEK DOOR PIN BUSHING
26	VM1977A0	CL BL DOOR UPPER FUJLCRUM-CAP
28	VT1255A0	XB69- XC59- EXTERNAL GLASS
29	TB2218A0	BL CL LOWER LISTEL L= 854 20x20x1
30	TB2209A0	XV593/XB693/XB695 RIGHT DOOR COLUMN
31	VM1976A0	CL BL DOOR COLUMN BLANKING CAP
32	VM1180A0	HANDLE HAFT XVC204/304/504/704
33	OH2650A0	XBC/XVC ST. STEEL INTERNAL GLASS HINGE
34	VM1896A0	LOWER GLASS SUPPORT
35	VM1490A0	CHEFTOP/BAKERTOP HANDLE SCREWS COVER
36	VM1006A0	CAP FOR GLASS UPPER SUPPORT
37	TB2194A0	BL CL UPPER LISTEL L= 854 20x20x1
38	TF1010A0	TEFLON BUSHING FOR INTERNAL GLASS
39	GN1180A0	INTERNAL GLASS HINGE CARBOGRAPHITE
40	VM1231A0	LOWER ALUMINIUM HINGE FOR INTERNAL
41	VM1230A0	UPPER ALUMINIUM HINGE FOR INTERNAL
42	OH1450A0	XB-XV-XG ST. STEEL MUFFLE FRONT CORNER
43	GN1342B0	DOOR GASKET GN1000B FOR XBC604-605
44	GRL1291A0	BAKERLUX 6 600x400 RIGHT LATERAL SUPPORT
45	GRL1290A0	BAKERLUX 6 600x400 LEFT LATERAL SUPPORT
46	OG1476A0	BL CL FAN GUARD SPACER
47	OH4820A0	BULB HOLDING BRACKET
48	VN1030A4	MOTOR FAN D196 H81 39 BLADE NUT M8
49	RS1150A0	CIRC. HEAT. ELEMENT D=230 5 TURNS
50	RS1261A0	BAKERLUX/CHEFLUX HEATING ELEMENT

51	GN1326A0	ELEMENT SEALING 70X22X0.8
52	TB2215A0	XB69- XV59- HUMIDITY INTERNAL PIPE Ø16x1
53	OG1461A0	STAINLESS STEEL COVER SERIE XB
54	OH2551A0	XBC/XVC ST. STEEL DRAIN COVER
55	VT1195A0	BOROSILICATE LIGHT BULB GLASS COVER
56	GN1065A1	SEAL FOR LAMP GLASS COVER (PURE
57	VE1015A1	LAMP HOLDER SERIE 2 FOR HALOGEN LAMP
58	VE1005A3	HALOGEN LAMP 33W ENERGY SAVER
59	GN1055A0	OR 46x2 VMQ 70 RED
60	OH6334A0	BL CL COOKING CHAMBER HOLDING BRACKET
61	VM1260A0	90°C CURVED DRAIN PIPE
62	VE1562A0	UNIPOLAR NA PUSH BUTTON
63	EL1252A0	ONE INLET WATER VALVE J.G.CONN.
64	OH4305A1	ST. STEEL MOTOR SHAFT SEALING DISC
65	GN1140A1	MOLDED MOTOR SUPPORT GASKET
66	VN1130A0	330W 230V 50/60HZ MOTOR
67	OH3586A0	ZINCATE MOTOR GUARD PLATE XBC-XVC
68	OH6335A0	BRACKET FOR FEET
69	OH6240A0	BAKERLUX CHEFLUX ST. STEEL CONTROL PANEL
70	VM1974A0	BOARD CLOSING PLATE
71	VM1192A1	CT BT RIGHT DOOR SPRING LATCH COVER
72	VM1190A2	CT BT RIGHT DOOR SPRING LATCH
73	VM1460A0	XBC/XVC RIGHT DOOR LATCH CAP
74	VM1200A0	DOOR MECHANIC MICROSWITCH SUPPORT PLATE
75	VE1295A0	DOOR MICROSWITCH MK 16A 230V UL
76	OH6333A0	BL CL THREADED DOOR COUNTER BRACKET
77	OH2560A0	XBC/XVC ZINC PLAT. DOOR COUNTERBRACKET
78	VM1240A0	NYLON SUPPORT CAP
79	VM1195A0	HOLES BLANKING PLATE XVC204/304/504/704
80	VM1165B0	CT BT DOOR UPPER BRACHET
81	VM1166A0	CAP FOR DOOR UPPER STIRRUP XVC204/304/5
82	GN1275A0	BLACK SILICON XBC/XVC CHIMNEY SEALING
83	OH3790A0	CHIMNEY HOLDING PLATE
84	VM1556A0	XBC-XVC COOLING FAN GUARD
85	VM1555A1	CT BT COOLING DOWN FAN SUPPORT
86	VN1161A0	COOLING FAN 230V
87	VM1975A0	DOOR SUPPORT LOWER BRACKET
88	VM1191A2	CT BT LEFT DOOR SPRING LATCH
89	VM1461A0	XBC/XVC LEFT DOOR LATCH CAP
90	VM1310A0	COVER FOR TERMINAL BOX XB/XV/XVC/XG
91	CE1460A1	CABLE 5X4MMQ H07RN-F L=1,8MT
92	MR1004A0	TERMINAL 7FTW GV V0 VL CU 1+2+3/4+5+6
93	VE1075A0	CABLE PRESS FV 268 RO
94	VM1750A0	TERMINAL BOARD
95	OH6241A0	BL CL MANUAL COMPONENTS HOLDER
96	OH6350A0	CONNECTOR FIXING PANEL
97	VE1110A0	CONDENSER 6,3 µF 450VAC 50/60Hz
98	VE1555A0	REVERS.SWITCH MOTOR P19.5J.02.H6.17
99	VE1095A0	REMOTE CONTROL SWITCH GE 25A 230V
100	VM1075A1	PLASTIC CLIP TO FIX CONTACTORS

101	OH6361A0	REMOTE CONTROL SWITCH FIXING PANEL
102	VE1115A0	MINICONTACTOR WITH 4 POLES 20 A 230 V
103	TR1136A0	SAFETY THERMOSTAT UNIP. 330°C
104	VM1967A0	CAP FOR D10 HOLE
105	TB1980A0	TB1815A-ALLACCIAMENTO FORNI ALLA RETE
106	EL1375A0	Ø8 MESH-100 WATER FILTER
107	RC1210A1	3/4 FEM. UNION +FILTER + NONRETURN VALVE
108	GN1200A0	3/4 CONNECTION SEAL D=24 RUBBER+NET
109	EL1185A0	ELBOW CONNECTION J. GUEST Ø8 - Ø8
110	EL1345A0	CLIP TO FIX Ø08 mm CONNECTION JOINT
111	EL1195A0	ELBOW UNION WITH J.GUEST TERMINAL