



Client _____ Quantity _____
 Project _____ Position _____

FUN 650

Electric range, 4 round plates, electric convection oven

Model: F65/70CFE

Cod: MP01032122000

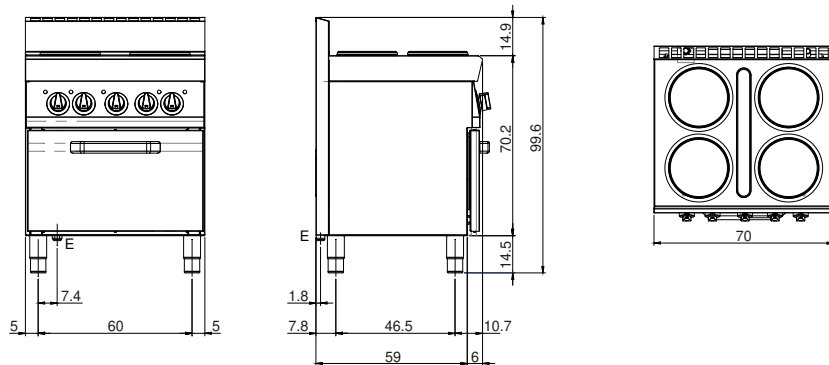
Technical data

Modularity:	Electric oven
Dimension (mm):	700x650x850
Dimensione forno (mm):	565x330x325
Total electric power (kW):	14,36
Oven type:	Electric convection oven
Oven power (kW):	3,96
Oven temperature range (°C):	50-300
Electric power (V):	380-415
Ampere (A):	29,5
Phases:	3N
Cable section (mmq):	5G6
Frequency (Hz):	50
Net volume (m3):	0,387
Packing dimensions (mm):	776x776x1180
Peso lordo (kg):	84
Gross volume (m3):	0,711

Features

Working top:	Realizzato in acciaio inox AISI 304 con spessore 10/10 mm
Knobs:	Knobs are made from a sturdy heat-resistant polymer blend and are equipped with liquid anti-leakage washer
Handles:	Brushed aluminum finish

Technical draw



E: Electric power