



Client \_\_\_\_\_ Quantity \_\_\_\_\_

Project \_\_\_\_\_ Position \_\_\_\_\_

## FUN 700

**Model:** F70/80GRLG/A

**Cod:** MP01452113003

**Market:** Extra UE

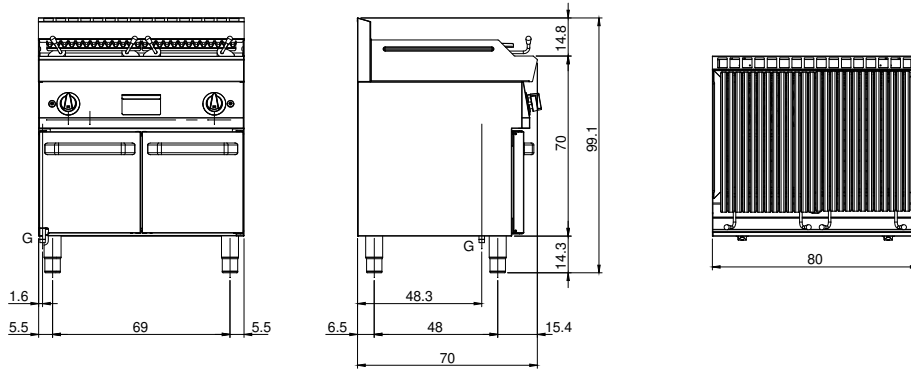
### Technical data

<b>Modularity:</b>	On open cabinet
<b>Dimension (mm):</b>	800x700x850
<b>Total gas power (Kcal/h):</b>	12898
<b>Total gas power (kW):</b>	15
<b>Cooking zone dimensions 1 (LxD mm):</b>	n°2 681.101.13 (184x mm)
<b>Cooking zone dimensions 2 (LxD mm):</b>	n°2 681.101.13 (184x mm)
<b>Gas connection:</b>	1/2"
<b>Net volume (m3):</b>	0,48
<b>Packing dimensions (mm):</b>	880x856x1274
<b>Gross weight (kg):</b>	79
<b>Gross volume (m3):</b>	0,960

### Features

<b>Grill:</b>	In cast iron
<b>Working top:</b>	Made of AISI 304 stainless steel with a thickness of 10/10 mm
<b>Knobs:</b>	Knobs are made from a sturdy heat-resistant polymer blend and are equipped with liquid anti-leakage washer
<b>Liquid collection container:</b>	Removable and dishwasher safe
<b>Kit Gas:</b>	Natural gas conversion kit 30/50 m/bar (tested with natural gas G20)

Technical draw



G: Gas connection 1/2"